



SNIPER

SPINCAST REEL



FEATURES

- Remarkable 31 IPT
- Heavy Duty Double Anodized Aluminum Cone
- Zero Play Anti-Reverse
- Dual EVA Knobs
- Carbon Washer Drag System
- Aluminum Star Drag & All Metal Gears

MODEL(S)	SNIPER (RB, RS, RW)
WEIGHT	9.9 oz
GEAR RATIO	6.5:1
MAX DRAG	10lbs
BEARINGS	12+1 SS Bearings
MONO	10lb/85yds

REEL WARRANTY

ANYTHING POSSIBLE BRANDS will repair or replace without charge any **ProFISHiency** reel which is defective in workmanship or materials, within one year from the date of purchase by the consumer. This warranty gives the consumer specific legal rights which may vary from state to state. The warranty extends only to the original (consumer) owner.

Reel Warranty covers all, but the following:

1. Lost parts.
2. Malfunctions, or damage due to abuse, misuse or accident.
3. Normal wear.
4. Malfunctions caused by inadequate repair or alterations not performed by **ANYTHING POSSIBLE BRANDS**.
5. Reel cleaning or re-lubrication required due to owner's failure to provide necessary maintenance.
6. Abuse or misuse of product.

Consumer STEP-BY-STEP Guidelines:

1. When requesting warranty claim, consumer must return/exchange at the **original place of purchase**.
2. If purchased directly from **ProFISHiency**, please email us at **customerservice@anything-possible.com** or fill out a warranty claim form on **www.ProFISHiency.com**.
3. For warranty claims, the purchase receipt must be included. Warranty claims which do not include a purchase receipt will be determined by one of **ANYTHING POSSIBLE BRANDS**'s Technical Managers on an individual basis after inspection.

MAINTENANCE & CARE

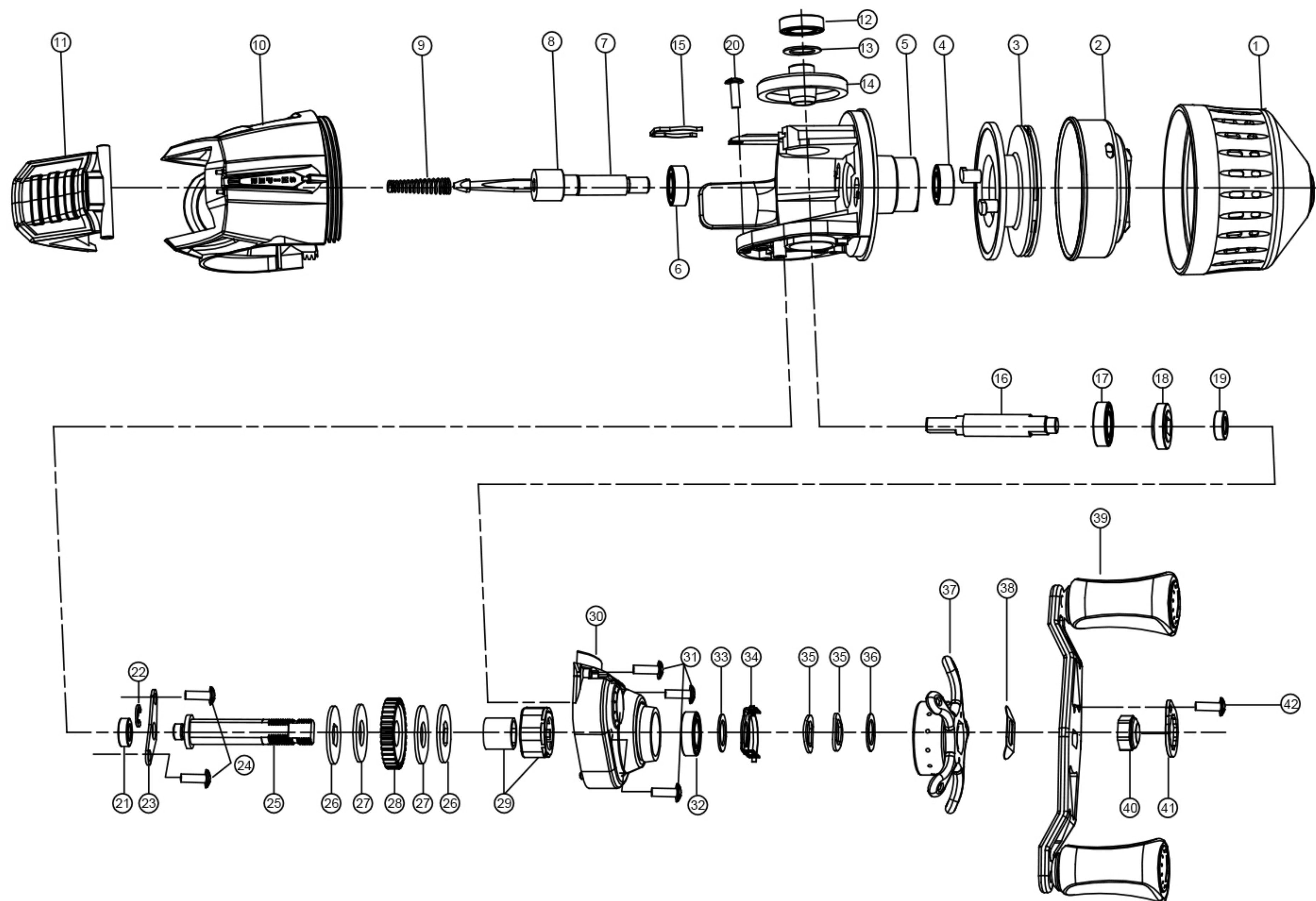
While applying lubricant to your **SNIPER spincast reel**, avoid using multi-purpose oil. Use lightweight silicone-based oils or greases made for fishing reels. Apply oil to all bearings, the crank shaft, and the worm gear. Apply grease to the bushings, pinion gears, drive gears, and crank gears. You will need to lubricate your reel periodically to keep the reel working smoothly. If fishing in saltwater or brackish water, it is vital to gently rinse your **SNIPER spincast reel** with fresh water.



SNIPER

SPINCAST REEL

EXPLODED VIEW



PARTS LIST OF SNIPER SPINCAST REEL

NO	ITEM	NO	ITEM
1	Front Cone	22	Crank Shaft Retainer E-Clip
2	Spinner Head Assembly	23	Crank Shaft Retainer
3	Spool	24	Crank Shaft Retainer Screw (2)
4	Front Mainshaft Bearing	25	Crank Shaft
5	Body	26	Metal Double-D Keyed Drag Washer(2)
6	Back Mainshaft Bearing	27	Carbon Drag Washer (2)
7	Main Shaft	28	Helical Drive Gear
8	Pinion Gear	29	One Way Clutch Ass'y
9	Main Shaft Spring	30	Gear Housing
10	Body Cover	31	Gear Housing Screw (3)
11	Thumb Button Ass'y	32	Gear Housing Bearing
12	Drive Gear Lt Bearing	33	Crank Shaft Inner Washer
13	Drive Gear Lt Washer	34	Star Drag Clicker Ass'y
14	Drive Gear	35	Crank Spring Washer (2)
15	Retaining Clip	36	Crank Shaft Outer Washer
16	Drive Gear Shaft	37	Star Drag Ass'y
17	Drive Gear Rt Crank Bearing	38	Star Drag Spring washer
18	Helical Pinion Gear	39	Handle assembly
19	Helical Pinion Gear Bearing	40	Handle Nut
20	Gear Housing Screw	41	Handle Retainer
21	Helical Drive Gear Support Bearing	42	Handle Retainer Screw