



# A13

## SPINNING REEL



### FEATURES

Designed for Freshwater/Saltwater  
Sealed Drag System  
Carbon Composite Rotor  
Zero Play Anti-Reverse  
Double Anodized Spool  
Carbon Fiber Handle  
Premium Cork Grip  
Stainless Steel Main Shaft

MODEL	A13-2k	A13-3k
WEIGHT	8.3 oz	8.6 oz
GEAR RATIO	6.2:1	6.2:1
MAX DRAG	16lbs	19lbs
BEARINGS	10+1 SS Bearings	10+1 SS Bearings
MONO	6lb/160yds	10lb/150yds
BRAID	10lb/165yds	20lb/165yds

### REEL WARRANTY

**ANYTHING POSSIBLE BRANDS** will repair or replace without charge any **ProFISHiency** reel which is defective in workmanship or materials, within one year from the date of purchase by the consumer. This warranty gives the consumer specific legal rights which may vary from state to state. The warranty extends only to the original (consumer) owner.

**Reel Warranty** covers all, but the following:

1. Lost parts.
2. Malfunctions, or damage due to abuse, misuse or accident.
3. Normal wear.
4. Malfunctions caused by inadequate repair or alterations not performed by **ANYTHING POSSIBLE BRANDS**.
5. Reel cleaning or re-lubrication required due to owner's failure to provide necessary maintenance.
6. Abuse or misuse of product.

### Consumer STEP-BY-STEP Guidelines:

1. When requesting warranty claim, consumer must return/exchange at the **original place of purchase**.
2. If purchased directly from **ProFISHiency**, please email us at **customerservice@anything-possible.com** or fill out a warranty claim form on **www.ProFISHiency.com**.
3. For warranty claims, the purchase receipt must be included. Warranty claims which do not include a purchase receipt will be determined by one of **ANYTHING POSSIBLE BRANDS**'s Technical Managers on an individual basis after inspection.

### MAINTENANCE & CARE

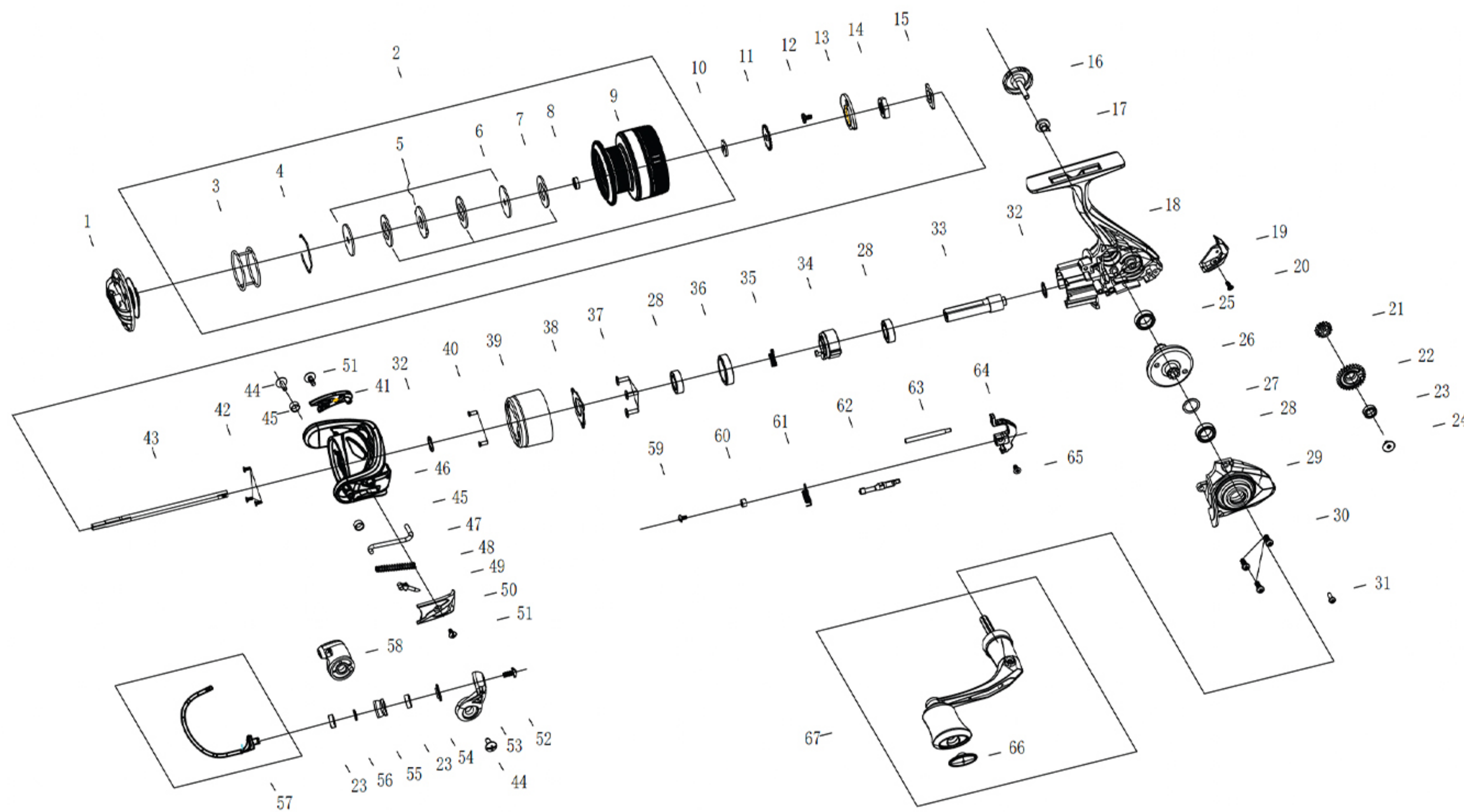
While applying lubricant to your **A13 spinning reel**, avoid using multi-purpose oil. Use lightweight silicone-based oils or greases made for fishing reels. Apply oil to all bearings, the crank shaft, and the worm gear. Apply grease to the bushings, pinion gears, drive gears, and crank gears. You will need to lubricate your reel periodically to keep the reel working smoothly. If fishing in saltwater or brackish water, it is vital to gently rinse your **A13 spinning reel** with fresh water.





# A13 SPINNING REEL

## EXPLODED VIEW



### PARTS LIST OF A13 SPINNING REEL

ITEM#	PARTS DESCRIPTION	ITEM#	PARTS DESCRIPTION
1	Drag Knob Assembly	35	Spring
2	Spool Assembly	36	Bearing Holder
3	Spool Rubber	37	Screw(3req.)
4	Washer Retaining Ring	38	Ball Bearing Retainer
5	Ear Washer	39	Body Head Cover
6	Keyed Washer(2req.)	40	Screw(2req.)
7	Washer(3req.)	41	Bail Holder Cover
8	Bearing	42	Screw(3req.)
9	Spool	43	Main Shaft
10	Spool Adjust Washer	44	Bail Arm Screw(2req.)
11	Click Gear	45	Bushing(2req.)
12	Screw	46	Rotor
13	Rotor Nut Set Plate	47	Rotor Trip Lever
14	Rotor Nut	48	Spring
15	Washer	49	Pivot Arm
16	Handle Cap	50	Bail Arm Cover
17	Washer	51	Screw
18	Body Assembly	52	Screw
19	Body Rear Cover	53	Bail Arm
20	Screw	54	Line Roller Collar
21	Idle Gear	55	Line Roller
22	Oscillation Gear	56	Line Roller Washer
23	Bearing(3req.)	57	Bail Assembly
24	Screw	58	Bail Holder
25	Bearing	59	Screw
26	Driver Gear	60	Pom Bushing
27	Washer	61	Clutch Switch Spring
28	Bearing(3req.)	62	Clutch Switch
29	Body Cover Assembly	63	Slider Guide Shaft
30	Screw(3req.)	64	Slider
31	Screw	65	Screw
32	Rotor Washer(2req.)	66	Handle Knob Cap
33	Pinion	67	Handle Assembly
34	Clutch Assembly		